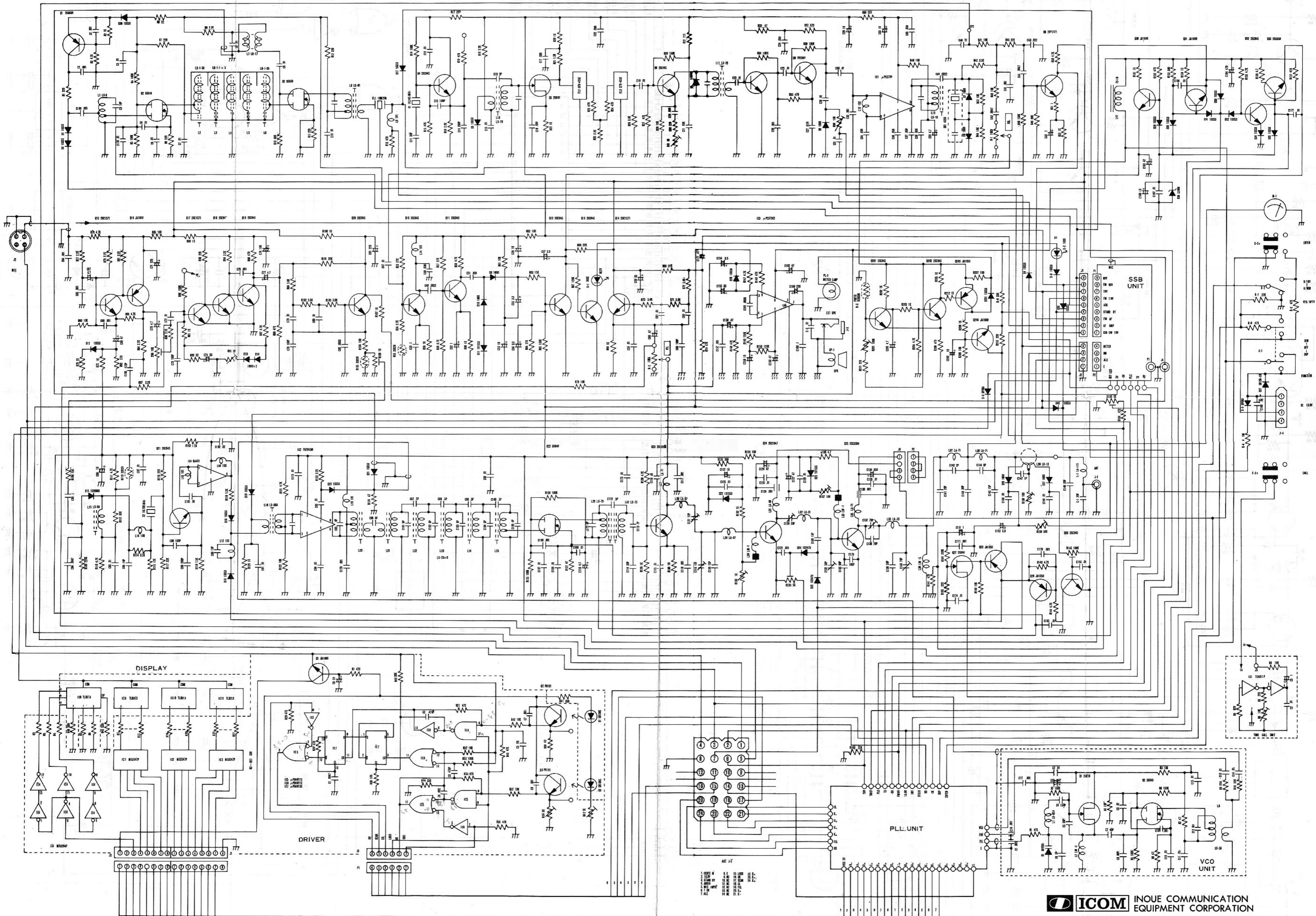
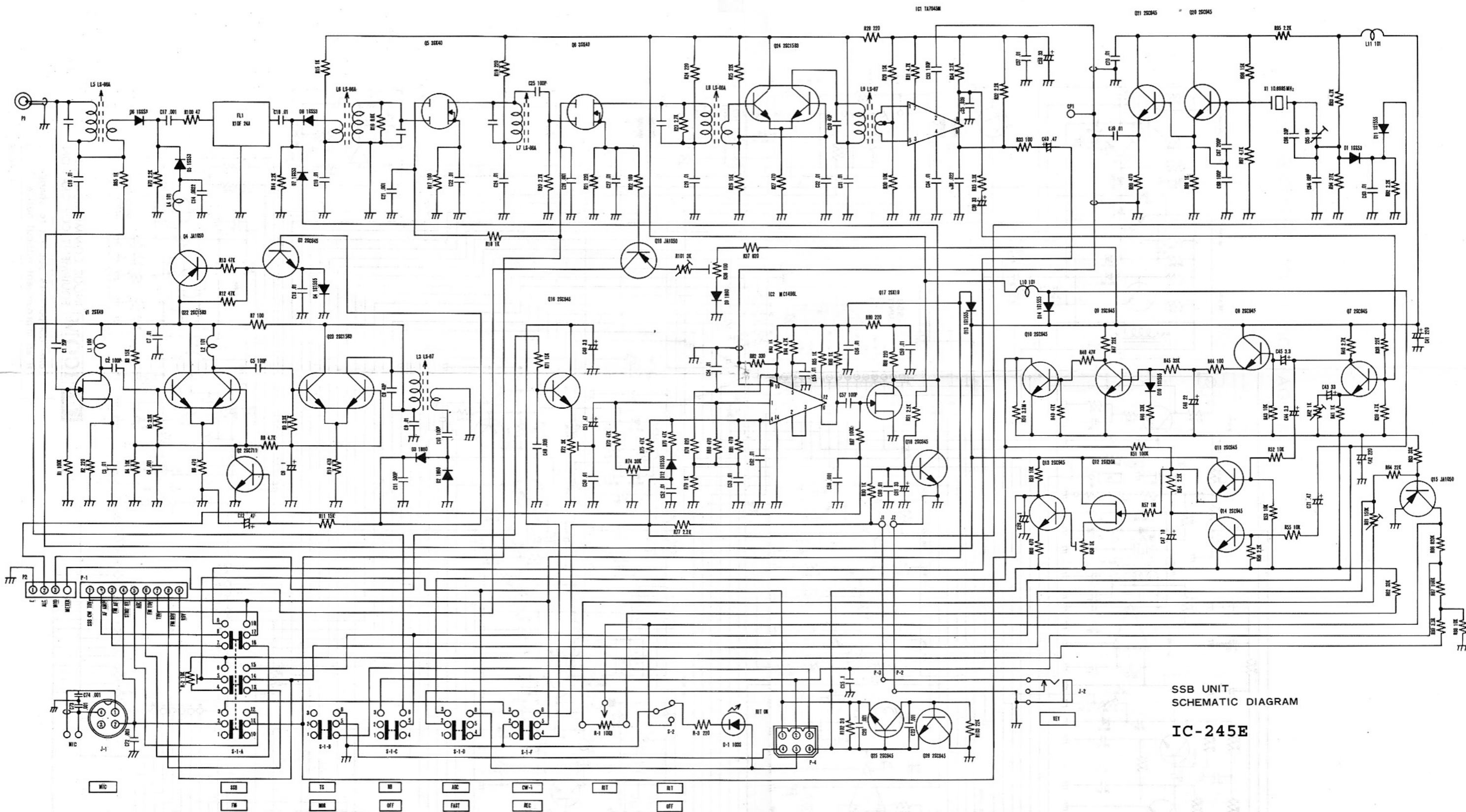


IC-245E SCHEMATIC DIAGRAM



ICOM INOUE COMMUNICATION EQUIPMENT CORPORATION

Some components subject to change for an improvement without notice.



SSB UNIT
SCHEMATIC DIAGRAM
IC-245E

IC245E PLL UNIT U-116

